

**OLYMPUS**<sup>®</sup>

Your Vision, Our Future

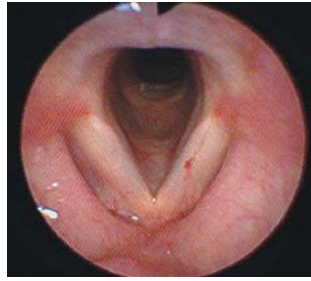
RHINO-LARYNGO FIBERSCOPE

**ENF-GP**

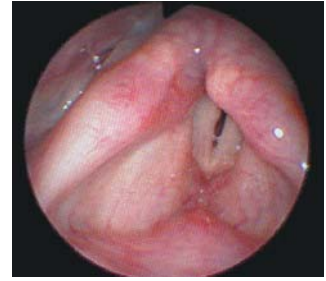


# The Fully-Portable, Yet Always Reliable ENF-GP Rhino-Laryngo Fiberscope

The ENF-GP not only provides large and bright high-resolution images, which builds on the acclaimed optics of the ENF-P4, but also features enhanced illumination as a result of its improved light distribution system.



Close Observation



Distant Observation

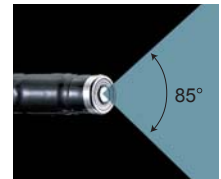
## Rechargeable Miniature Light Source with LED

EndoLED WA91502A transforms the ENF-GP into a portable fiberscope. Perform high-quality examinations anywhere within the medical facility.



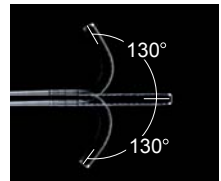
## Wide Field of View / Ideal Length For Observing Large Areas

The ENF-GP has a wide 85° field of view, which permits excellent visualization of the vocal cords. The 300 mm length makes observation of the nasal cavity and pharynx easier, and you'll be able to work at a more comfortable distance from the patient when observing the larynx.

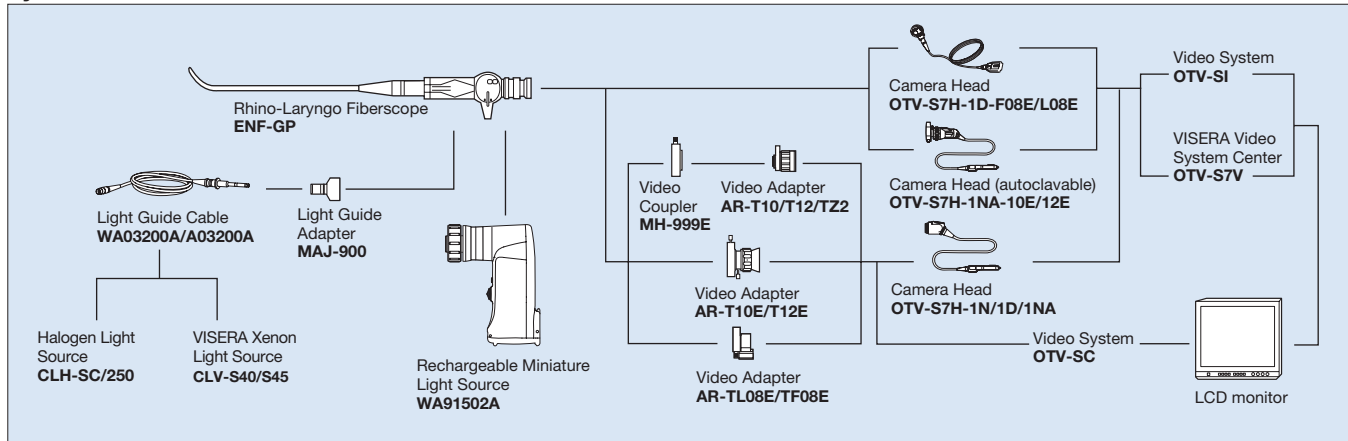


## 130° Up/Down Angulation For Easier Insertion And Diagnosis

Wide angulation range permits smooth insertion and easier maneuverability, for thorough examination of the larynx and hypopharynx.



## System Chart



## ENF-GP Specifications

Optical system	Field of view	85°
	Depth of field	5 - 50 mm
Insertion tube	Distal end outer diameter	3.4 mm
	Insertion tube outer diameter	3.6 mm
	Working length	300 mm
Bending section	Angulation range	Up/Down 130°
Total length		550 mm

## Standard Set

- Rhino-Laryngo Fiberscope ENF TYPE GP
- MAJ-900 Light Guide Adapter
- MB-156 ETO Cap
- Instruction Manual

## Options

- WA03200A/A03200A Light Guide Cable
- WA91502A Rechargeable Miniature Light Source

Specifications, design and accessories are subject to change without any notice or obligation on the part of the manufacturer.

**OLYMPUS**<sup>®</sup>

OLYMPUS MEDICAL SYSTEMS CORP.  
Shinjuku Monolith, 2-3-1 Nishi-Shinjuku, Shinjuku-ku, Tokyo 163-0914, Japan

For a complete listing of sales and distribution locations visit [www.olympus.com](http://www.olympus.com)